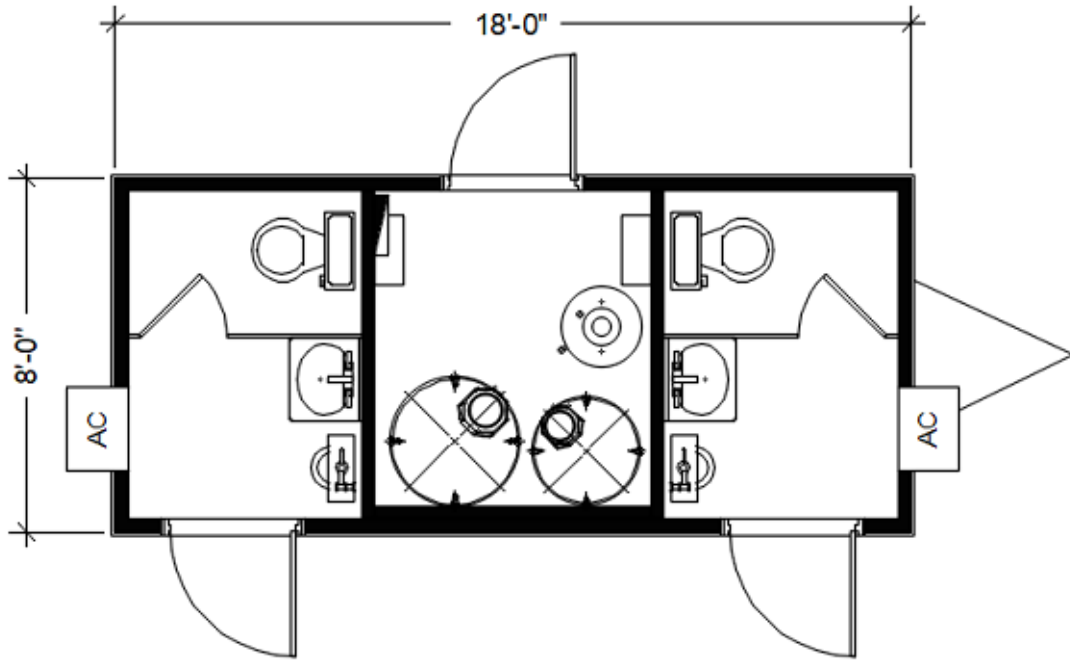


Sanitary Block - 8x18

Autonomous

ATHOM[®]



GENERAL SPECIFICATIONS

Dimension: 8' x 18'

Area: 144 ft²

Number of axles: 1

Number of doors: 3

Number of windows: 0

Electrical panel: 100 AMP

Electrical outlets: 2 Int. /1 Ext.

Air conditioning: 2 x 8000 BTU

Electric heating: 4500 watts

Hot water tank: 40 gallons

Clean water tank: 200 gallons

Waste water tank: 300 gallons

Number of hand dryers: 2

Number of sinks: 2

Number of toilets: 2

Number of urinals: 2

Autonomy: +/- 300 cycles